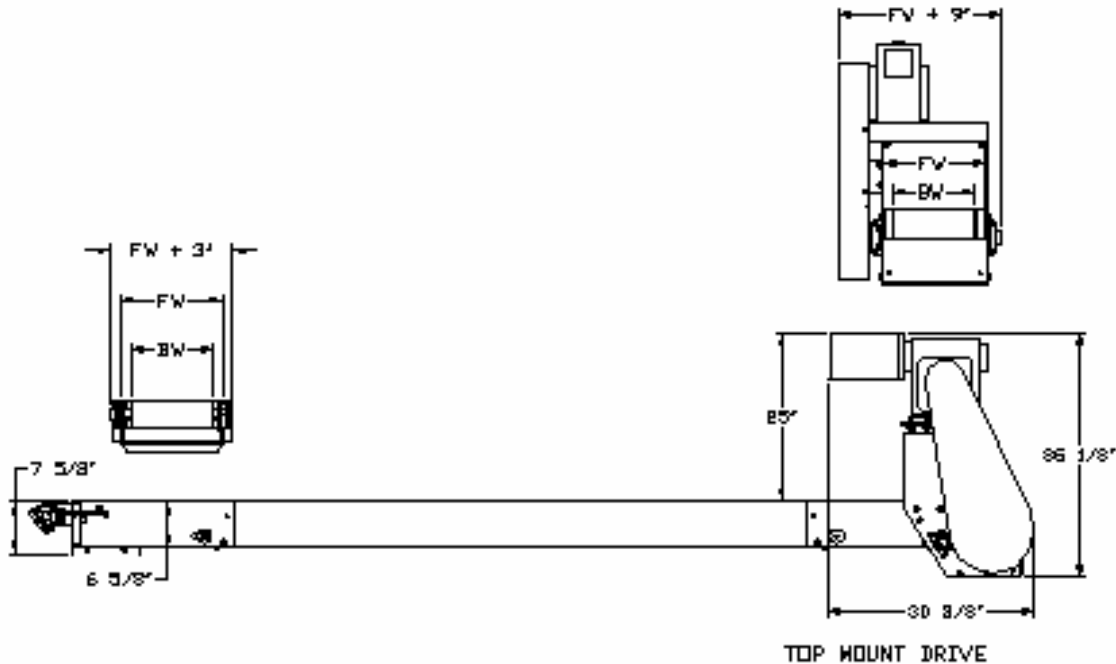


MODEL 321

TOP MOUNT DRIVE

HEAVY DUTY V-GUIDED SLIDER BED

This V-guided conveyor has a rubber guide vulcanized to the underside of the belt. The frame and pulleys are then grooved/notched to provide a track for the rubber vulcanized belt. This “guided” system keeps the belt centered for side loading, long run and short but wide applications.



TOP MOUNT DRIVE

1700 Division Street, New London, WI 54961

Phone: (800) 437-1994

Fax: (920) 982-6800

www.nleco.com